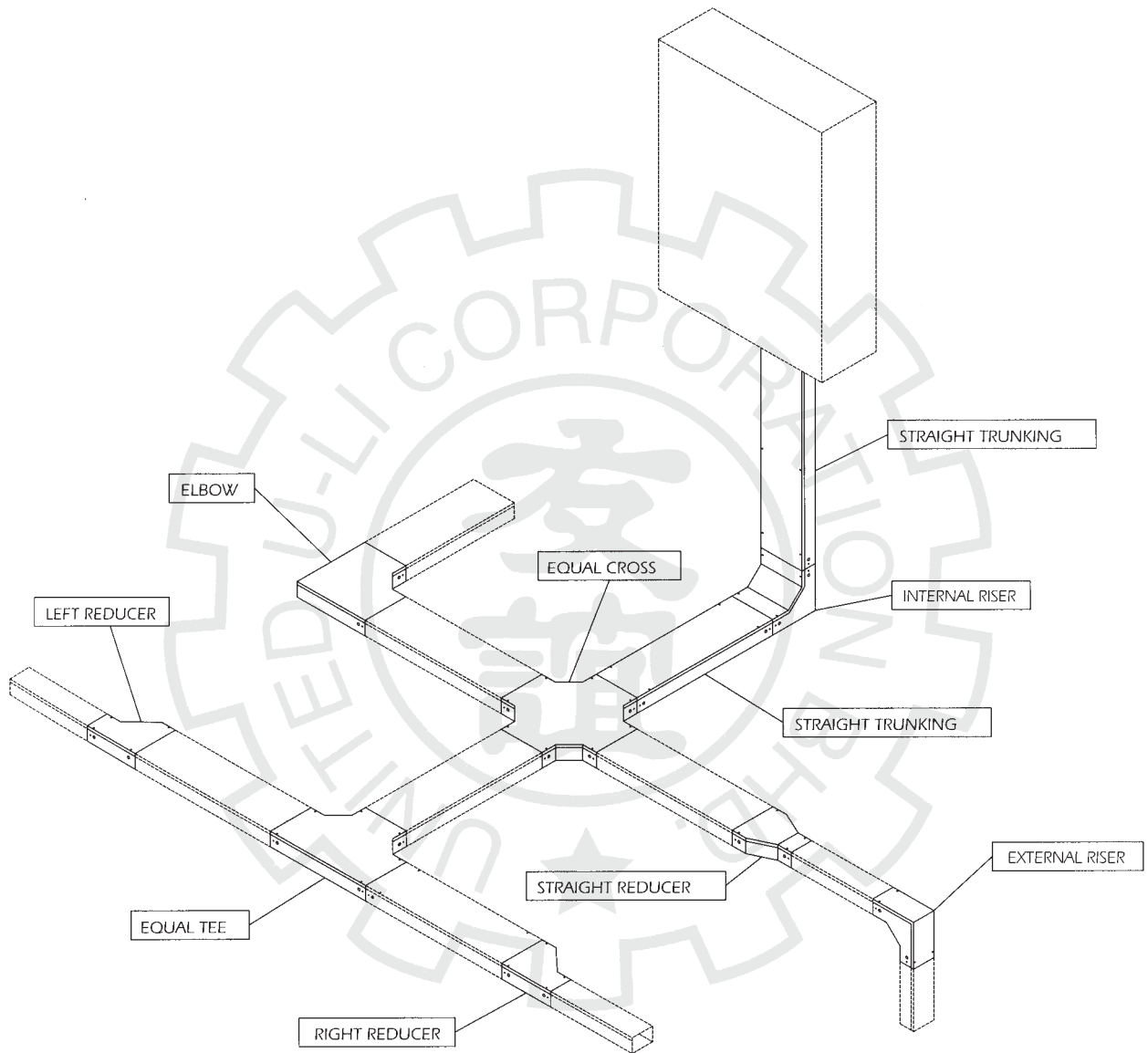


Steel Surface Cable Trunking

U-LI™ range of Steel Surface Cable Trunking, Cable Ducting and Accessories



Steel Surface Cable Trunking

U-LI™ Cable Trunking is made with high quality and flexibility in mind. The trunking is supplied complete with internal flanges, overlapping covers secured firmly by "self-tapping" screws giving maximum rigidity throughout its full length.

A list of accessories are available on request. Both trunking and accessories are available in epoxy-coated

finish on plain steel sheet or chequered steel sheet in 2.44 metre (8 feet) lengths.

Internal separation fillets (for multi-compartmentalisation) can be welded in position specified by Customers during manufacture.

Each length is supplied complete with sleeve coupling and "self-tapping" screws.



Dimensions Available: As Stated below
Standard Colours Available: White, Red, Grey, Orange and Ivory.
 Other colours and Hot-dipped Galvanized treatment are available on special request.
Thickness Available: The thickness of the body and lid are available in any combinations of 22G, 20G, 18G, 16G 14G or SS249 specifications.

Component Ref	W	H	L	Finishing
UM/TG/ST/2-1	50	25	2440	Hot Dipped Galvanizing or Epoxy Coated
UM/TG/ST/2-2	50	50		
UM/TG/ST/3-2	75	50		
UM/TG/ST/4-2	100	50		
UM/TG/ST/6-2	150	50		
UM/TG/ST/8-2	200	50		
UM/TG/ST/3-3	75	75		
UM/TG/ST/4-3	100	75		
UM/TG/ST/6-3	150	75		

Component Ref	W	H	L	Finishing
UM/TG/ST/8-3	200	75	2440	Hot Dipped Galvanizing or Epoxy Coated
UM/TG/ST/12-3	300	75		
UM/TG/ST/4-4	100	100		
UM/TG/ST/6-4	150	100		
UM/TG/ST/8-4	200	100		
UM/TG/ST/10-4	250	100		
UM/TG/ST/12-4	300	100		
UM/TG/ST/8-6	200	150		
UM/TG/ST/12-6	300	150		

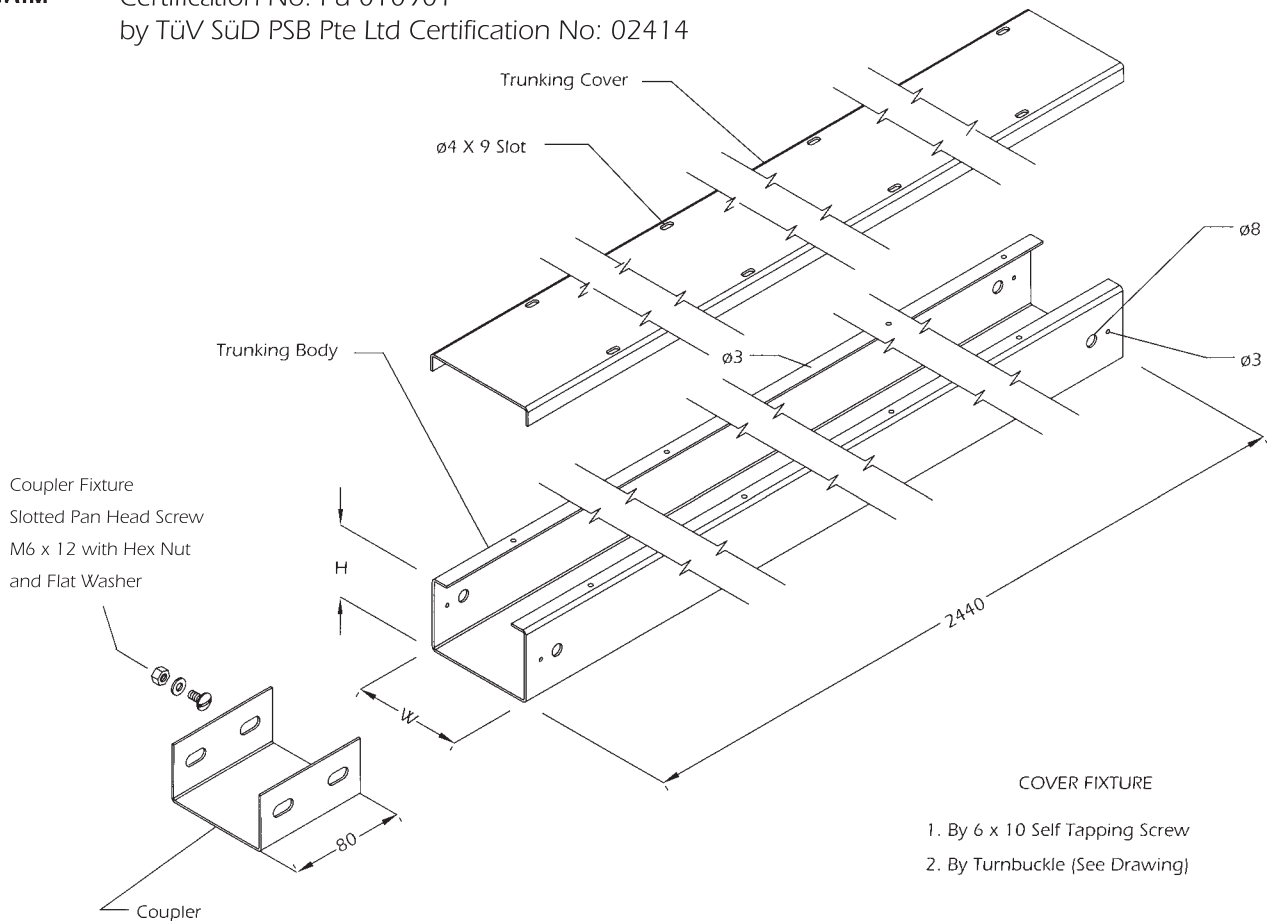
Dimension in Millimetre

Steel Surface Cable Trunking-Straight



UM/TG/ST

United U-Li Steel Surface Cable Trunking and Accessories are Certified to SS 249:1981 (Part BS 4678) by SIRIM QAS International Sdn Bhd Certification No: Pu 010901 by TÜV SÜD PSB Pte Ltd Certification No: 02414

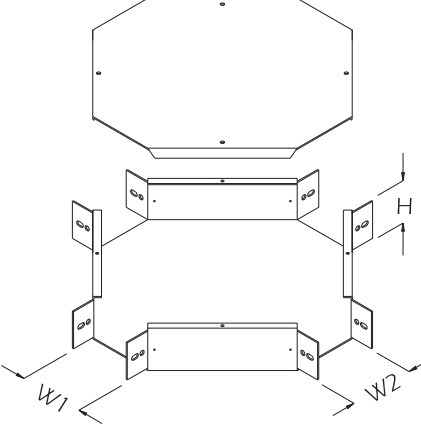
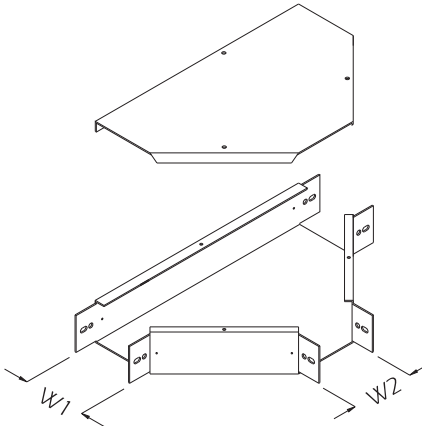
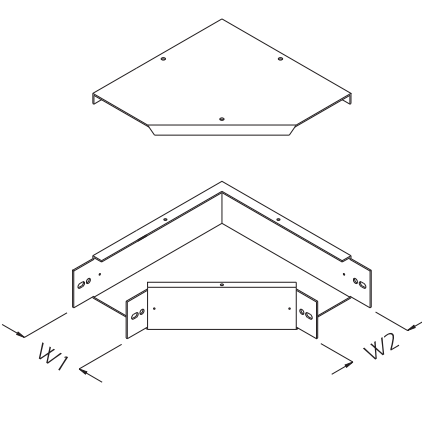
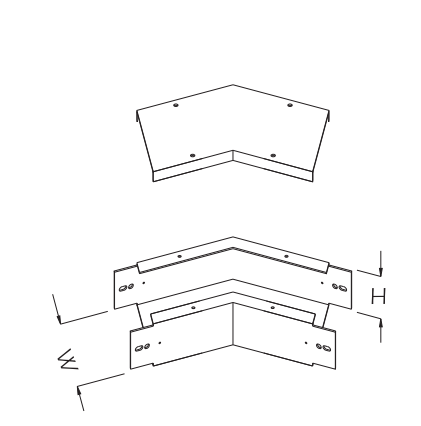
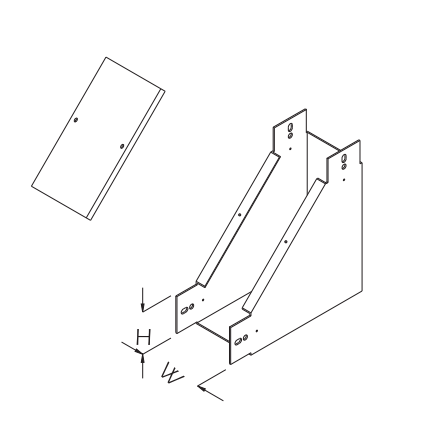
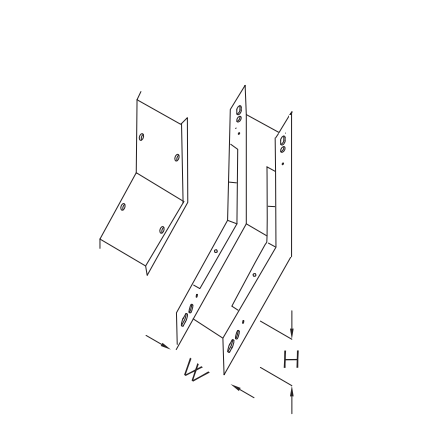
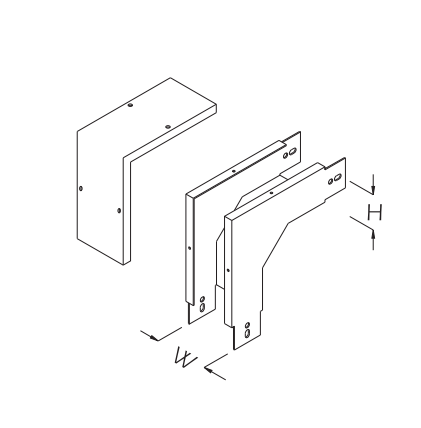
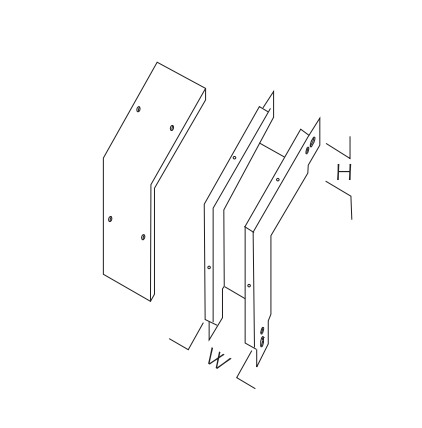
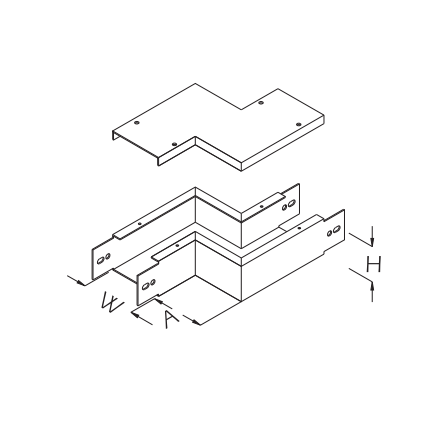


TYPE 1	SPECIFICATION	CLASSIFICATION	PROTECTION	MATERIAL COATING	FINISH (BOTH SIDES)
Manufactured to SS 249 : 1981	SS 249:1981	Class 1	Medium	Electro Galvanised to BS 1706/Zn 2	Epoxy Powder Coated
	SS 249:1981	Class 2	Heavy	Pre-Galvanised to BS 2989. Grade Z 275	Epoxy Powder Coated
TYPE 2	SPECIFICATION	CLASSIFICATION	PROTECTION	MATERIAL COATING	FINISH
Manufactured to BS 4678: Part 1:1971	BS 4678: Pt1:1971	Class 1	Light	Electro Galvanised to BS 1706/Zn 2	None
	BS 4678: Pt1:1971	Class 2	Medium	Electro Galvanised to BS 1706/Zn 2	Light Epoxy Coating Externally Only
	BS 4678: Pt1:1971	Class 2	Heavy	Pre-Galvanised to BS 2989. Grade Z 275	None
TYPE 3	SPECIFICATION	PROTECTION	MATERIAL	FINISH	
Manufactured to high corrosion resistance	Hot Dip Galvanised to BS EN ISO 1461:1999(E)	Very Heavy	Hot Roll Steel to JISG 3131 SPHC	Hot Dip Galvanised or with Epoxy/Polyester Coat over it upon request	
TYPE 4	SPECIFICATION	PROTECTION	MATERIAL	FINISH	
Manufactured to very high corrosion resistance & strength	Stainless Steel	Extra Heavy and Heavy Duty	Stainless Steel AISI 304, 316 or 316L	None or with Epoxy/Polyester Coat over it upon request	

Dimension in Millimetre

Steel Surface Cable Trunking

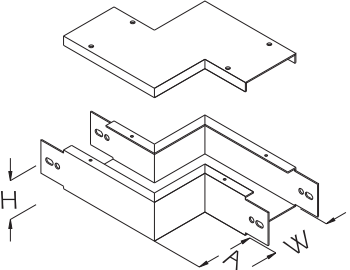
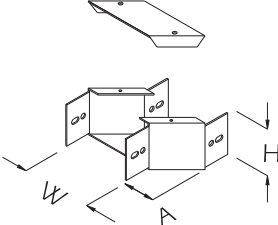
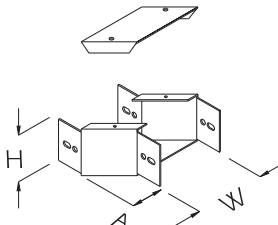
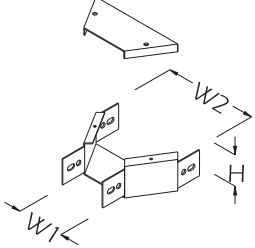
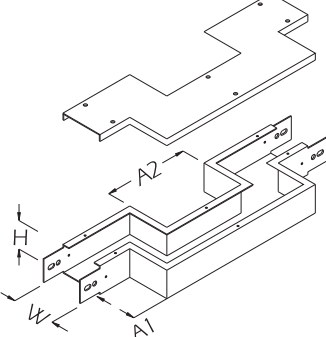
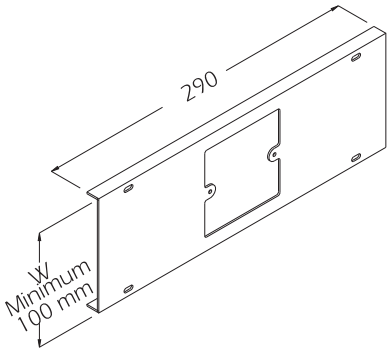
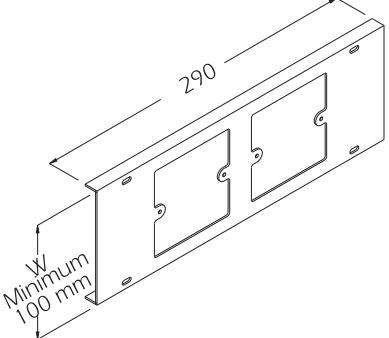
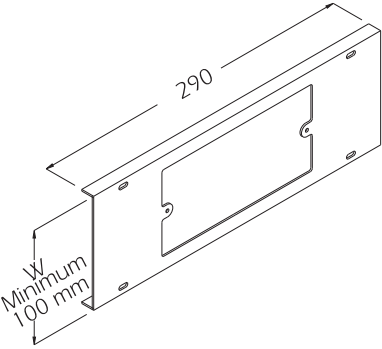
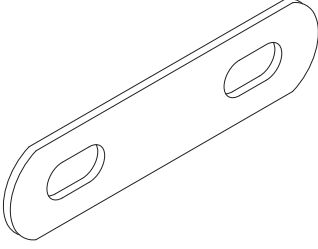
Steel Cable Trunking - Accessories

 <p>Horizontal Cross With Cover UM/TG/ACC/HC</p>	 <p>Horizontal Tee With Cover UM/TG/ACC/HT</p>	 <p>90° Horizontal Elbow With Cover UM/TG/ACC/HEL90</p>
 <p>45° Horizontal Elbow With Cover UM/TG/ACC/HEL45</p>	 <p>90° Internal Riser With Cover UM/TG/ACC/IR90</p>	 <p>45° Internal Riser With Cover UM/TG/ACC/IR45</p>
 <p>90° External Riser With Cover UM/TG/ACC/ER90</p>	 <p>45° External Riser With Cover UM/TG/ACC/ER45</p>	 <p>90° Horizontal Offset With Cover (right hand) UM/TG/ACC/HOR90</p>

When ordering please indicate W (width), H (height) and Finish.

Steel Surface Cable Trunking

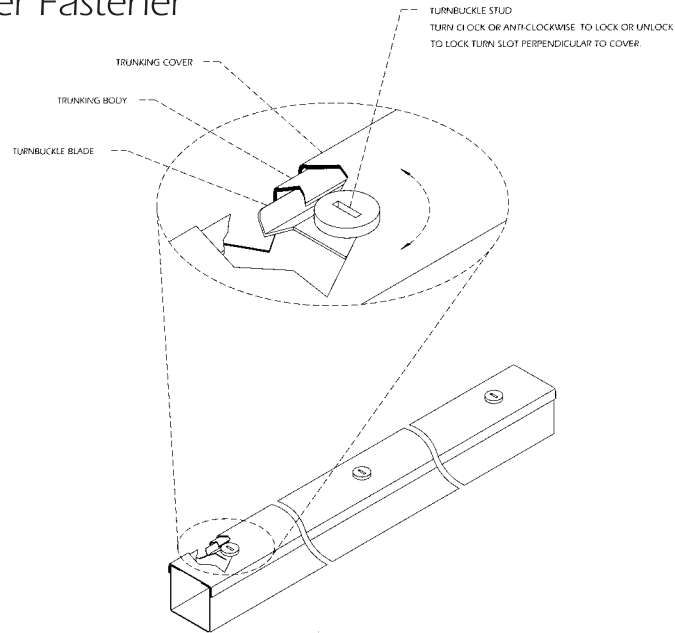
Steel Cable Trunking - Accessories

 <p>90° Horizontal Offset With cover (left hand) UM/TG/ACC/HOL90</p>	 <p>45° Horizontal Offset With Cover (right hand) UM/TG/ACC/HOR45</p>	 <p>45° Horizontal Offset With Cover (left hand) UM/TG/ACC/HOL45</p>
 <p>Straight Reducer With Cover UM/TG/ACC/SR</p>	 <p>Pier Set UM/TG/ACC/PS</p>	 <p>Single Socket Plate UM/TG/ACC/PSS</p>
 <p>Double Socket Plate UM/TG/ACC/PDS</p>	 <p>Twin Socket Plate UM/TG/ACC/PTS</p>	 <p>Earth Link UM/TG/ACC/LK</p>

When ordering please indicate W (width), H (height) and Finish.

Steel Surface Cable Trunking

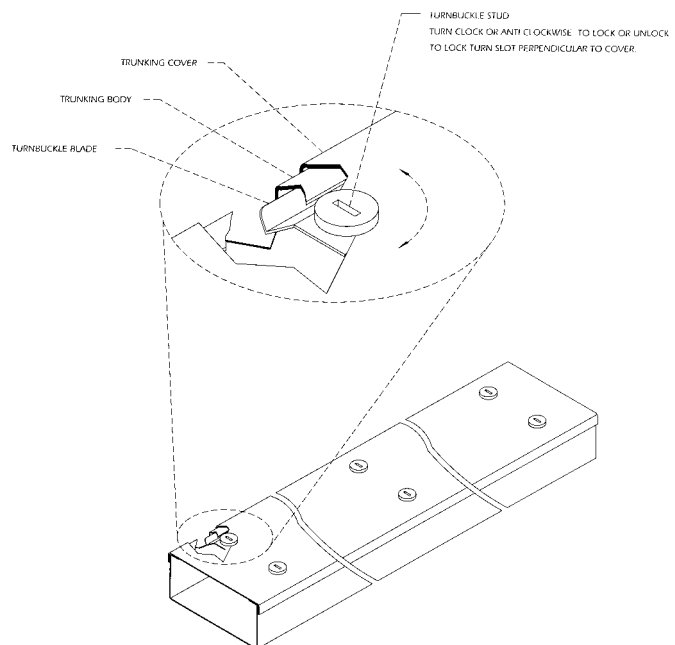
Single Turnbuckle Cover Fastener



Trunking with Turnbuckle Fastener and Cover

Components Ref.	Trunking Width	Number Of Fastener Per 2.44m Length	Finish
UM/TG/TB3	50, 75, 100	3 Pcs	Hot Dip Galvanised Epoxy Coated

Double Turnbuckle Cover Fastener



Trunking with Turnbuckle Fastener and Cover

Components Ref.	Trunking Width	Number Of Fastener Per 2.44m Length	Finish
UM/TG/TB6	125 to 300	6 Pcs	Hot Dip Galvanised Epoxy Coated

Dimension in millimeter.